

Datasheet

1000Mbps PoE Switch



WK-PS320GF | WK-PS328GF

Overview

The WIKING 1000Mbps PoE series switch offers 16/24 1000Mbps PoE ports, specific network ports can deliver up to 60W, providing robust power support for high-demanded devices. It features 2 gigabit RJ45 ports and 2 gigabit SFP slots for flexible network expansion. Support for Extend mode, PD Alive mode and via a smart DIP switch meets various project needs. The switch automatically detects and identifies PoE-compliant power-receiving devices and provides both power and data transmission through a network cable, simplifying installation and reducing costs—creating a multi-functional and reliable CCTV network solution.

Features

PoE 250m Long-Distance Extension

The DIP switch enables Extend mode, allowing PoE ports to transmit data and power up to 250 meters. No additional hardware or configuration is required, making it easy to use and cost-effective—perfect for deploying surveillance cameras in large areas.

Smart PoE Watchdog for Automatic Reboot Offline PD

All PoE ports support the PD Alive function, which automatically detects and reboots offline PoE powered devices, ensuring stable network operation.

Plug and Play, No Configuration Required

No professional expertise is needed—even non-technical users can easily deploy the network.

Fanless Design for Silent Operation

The fanless design ensures a quiet working environment, making it ideal for offices, hotels, and other noise-sensitive locations.

Specifications



Model	WK-PS320GF	WK-PS328GF
Hardware Specifications		
Interfaces		
Downlink Ports	16*10/100/1000Mbps RJ45 PoE Ports	24*10/100/1000Mbps RJ45 PoE Ports
Uplink Ports	2*10/100/1000Mbps RJ45 Ports 2*1000Mbps SFP Slots	2*10/100/1000Mbps RJ45 Ports 2*1000Mbps SFP Slots
PoE		
PoE Port	Port 1-16	Port 1-24
PoE Standard	Port 1: Hi-PoE 60W Port 2-16: 802.3af/at	Port 1: Hi-PoE 60W Port 2-24: 802.3af/at
PoE Pin Assignment	1/2(+), 3/6(-)	
PoE Power Budget	185W	285 W
Switch Property		
Standards and Protocols	IEEE 802.3, IEEE 802.3u, IEEE 802.3ab, IEEE 802.3x, IEEE 802.3z, IEEE 802.3af, IEEE 802.3at	
Forwarding Mode	Store and Forward	
Switching Capacity	40Gbps	56Gbps
Packet Forwarding Rate	29.76Mpps	41.644Mpps
MAC Address Table	2k	2k
Packet Buffer Memory	3Mbit	
Jumbo Frame	10KB	

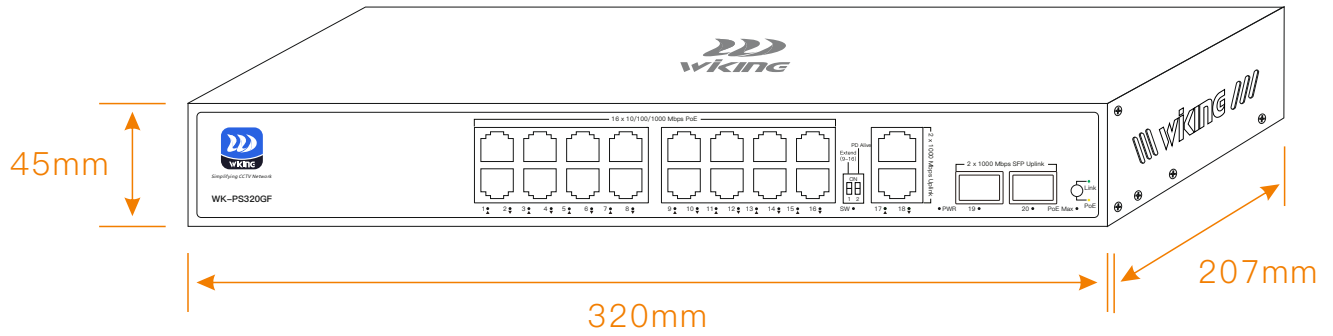
Model	WK-PS320GF	WK-PS328GF
Power Supply		
Input Power	100~240V AC 50/60Hz	
Power Consumption	Idle: 9W 100% Traffic Rate with PoE: 194W	Idle: 3W 100% Traffic Rate with PoE: 288W
Physical Characteristics		
LED Indicators	<p>PWR(Green) Solid on: The system power supply is normal Off: The system power supply is abnormal</p> <p>PoE(Yellow) On: PoE enabled Off: PoE disabled</p> <p>Link(Green) Solid on: A link has been established on the interface Blinking: Data is being transmitted or received on the interface Off: No link is established on the interface</p> <p>SW(Green) Solid on: Extend mode and PD Alive mode enabled. Blinking: Extend mode or PD Alive mode enabled. Off: Default disable Extend mode and PD Alive mode.</p> <p>PoE Max(Green) On: Indicates that the PoE power usage is greater than 95% but less than 100% Blinking (once per second): Indicates that the PoE power usage is between 90% and 95% Off: Indicates that the PoE power usage is less than 90%</p>	
Fan Quantity	Fanless	
Switch Dimensions (W*D*H)	320*207*45mm	
Package Dimensions	370*290*85mm	
Weight	Net Weight: ?kg	Net Weight: ?kg
	Package Weight: ?kg	Package Weight: ?kg
Material	Iron	
Installation	Desktop, Rack-mount	

Model		WK-PS320GF	WK-PS328GF
Button			
DIP Switch*		<p>Extend</p> <p>Enable Extend mode. The transmission distance of port 9-16(WK-PS320GF) or port 17-24(WK-PS328GF) can be up to 250m, but the rate is limited to 10Mbps.</p> <p>PD Alive</p> <p>All PoE ports enable the PD Alive mode to detect and reboot the offline-compliant PoE-powered devices.</p>	
PoE/Link LED Switch Button		<p>Default State: The indicator light is green, showing the Link status</p> <p>After Pressing the Button: The indicator light turns yellow, showing the PoE status, which indicates the PoE power status</p>	
Environmental			
Reliability	Surge Immunity	<p>IEC 61000-4-5</p> <p>Common mode $\pm 4\text{kV}$</p> <p>Differential mode $\pm 2\text{kV}$</p>	
	ESD Protection	<p>IEC 61000-4-2</p> <p>Contact discharge $\pm 6\text{kV}$</p> <p>Air discharge $\pm 8\text{kV}$</p>	
Operating environment		-10°C to 50°C(14°F to 122°F); 10%~90% RH no condensation	
Storage environment		-40°C to 70°C(-40°F to 158°F); 5%~95% RH no condensation	
Others			
Certification		CE, FCC, RoHS, UKCA, RCM	

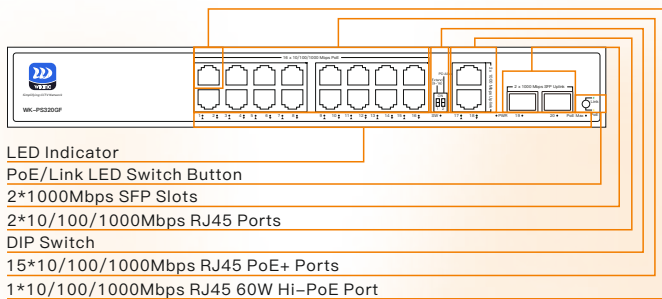
* For details about how to select the DIP switch function mode, reference the Quick Installation Guide.

WK-PS320GF

Dimensions (mm)

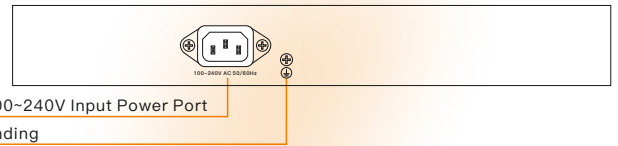


Front Panel



- LED Indicator
- PoE/Link LED Switch Button
- 2*1000Mbps SFP Slots
- 2*10/100/1000Mbps RJ45 Ports
- DIP Switch
- 15*10/100/1000Mbps RJ45 PoE+ Ports
- 1*10/100/1000Mbps RJ45 60W Hi-PoE Port

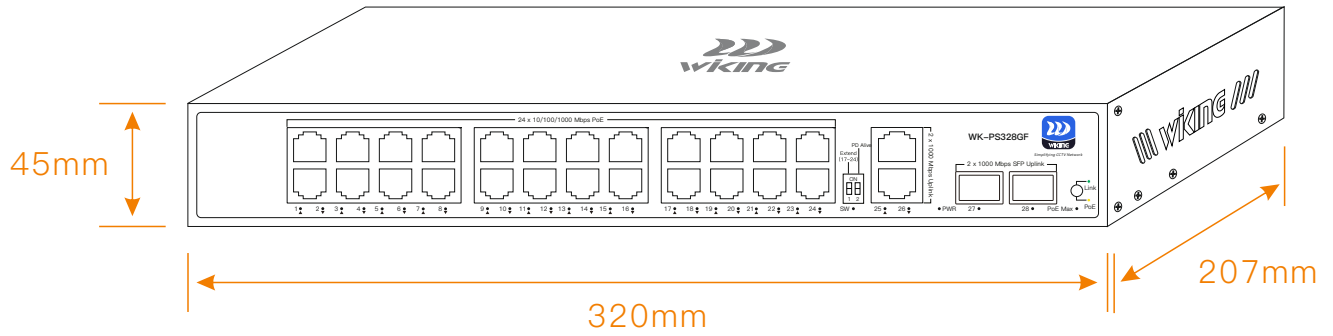
Rear Panel



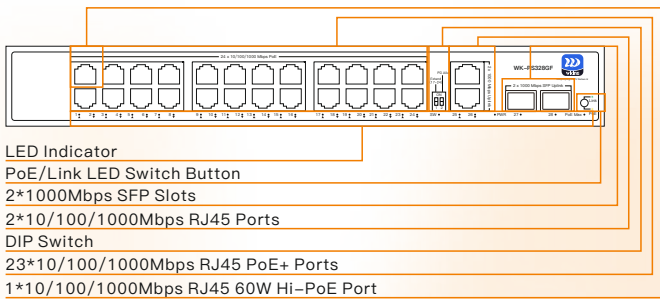
- AC 100~240V Input Power Port
- Grounding

WK-PS328GF

Dimensions (mm)



Front Panel



- LED Indicator
- PoE/Link LED Switch Button
- 2*1000Mbps SFP Slots
- 2*10/100/1000Mbps RJ45 Ports
- DIP Switch
- 23*10/100/1000Mbps RJ45 PoE+ Ports
- 1*10/100/1000Mbps RJ45 60W Hi-PoE Port

Rear Panel



- AC 100-240V Input Power Port
- Grounding

Package Contents

Welcome to order our products. After purchasing, you will receive:

Items	Quantity
Switch	1 pcs
AC Power Cord	1 pcs
Quick installation Guide	1 pcs
Mounting Accessories	Hooks x 2, Screws x 8



Wireless-Tek Technology Limited

Address: Building 3, Units 1801-1807, 1812, Huaqiang Era Plaza, Tangwei Community, Fuhai Street, Bao'an District, Shenzhen City, Guangdong Province, China.

Website: www.wireless-tek.com

Tel: 86-0755-32811290

Email: sales@wireless-tek.com

Technical Support: tech@wireless-tek.com



Technical Support



Cloud Management



Company Website